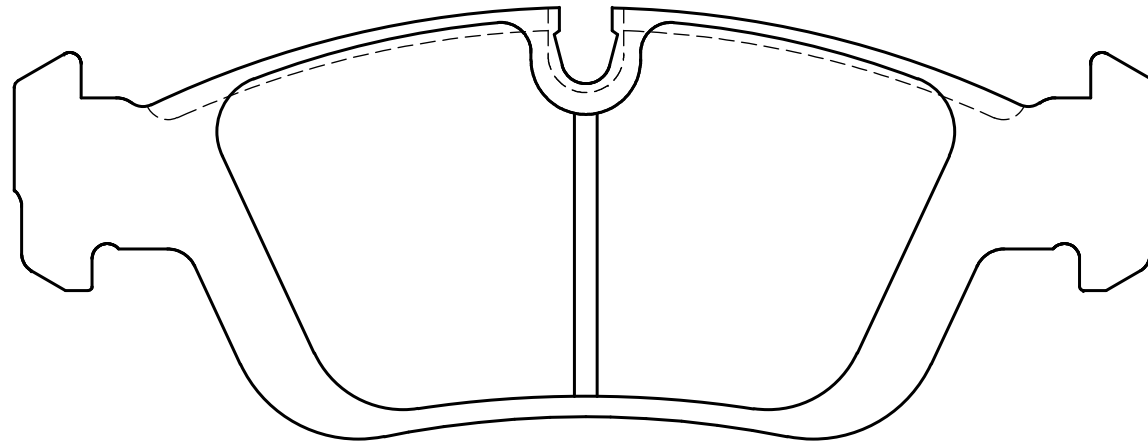
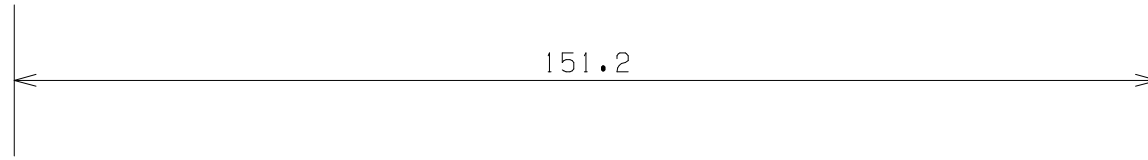


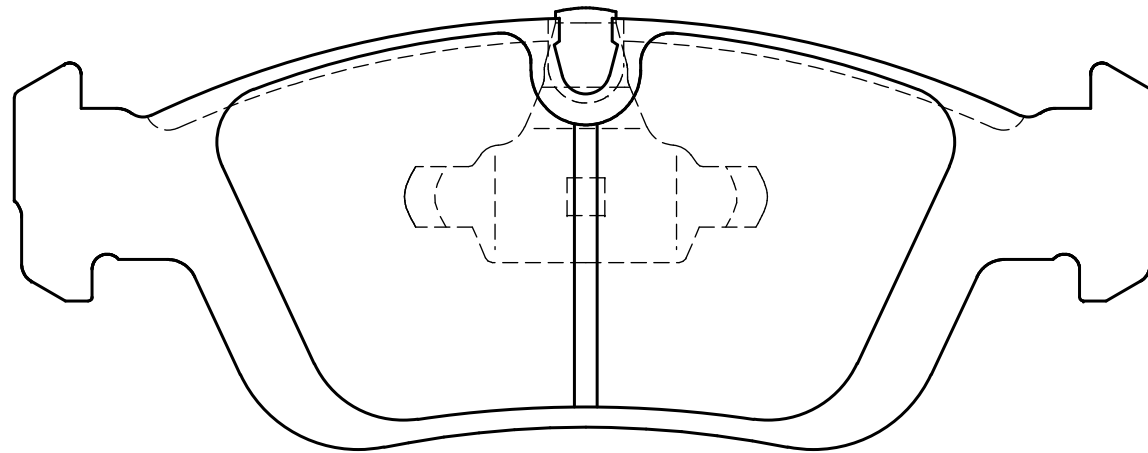
**Ewig**  
for import car



57.2



151.2



57.2

**Thickness : 17.5**

**Part No : EIP161**