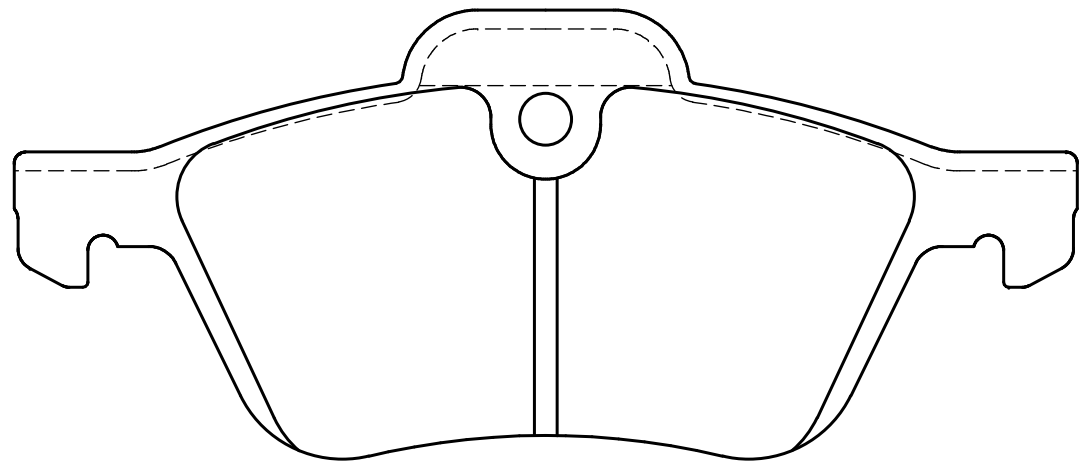
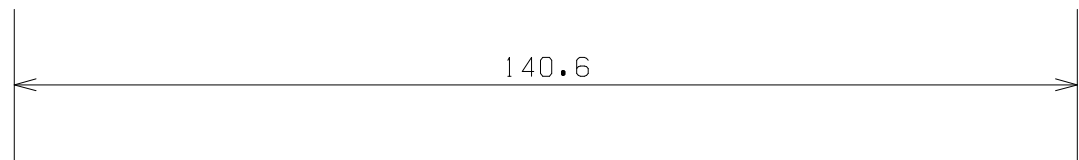


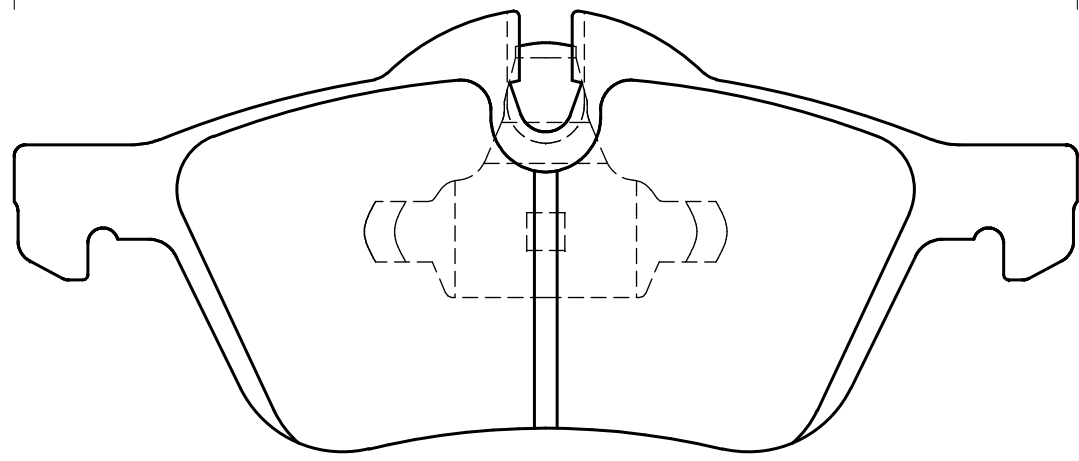
**Ewig**  
for imports and exports



59.5



140.6



58.4

**Thickness : 17.5**

**Part No : EIP109**