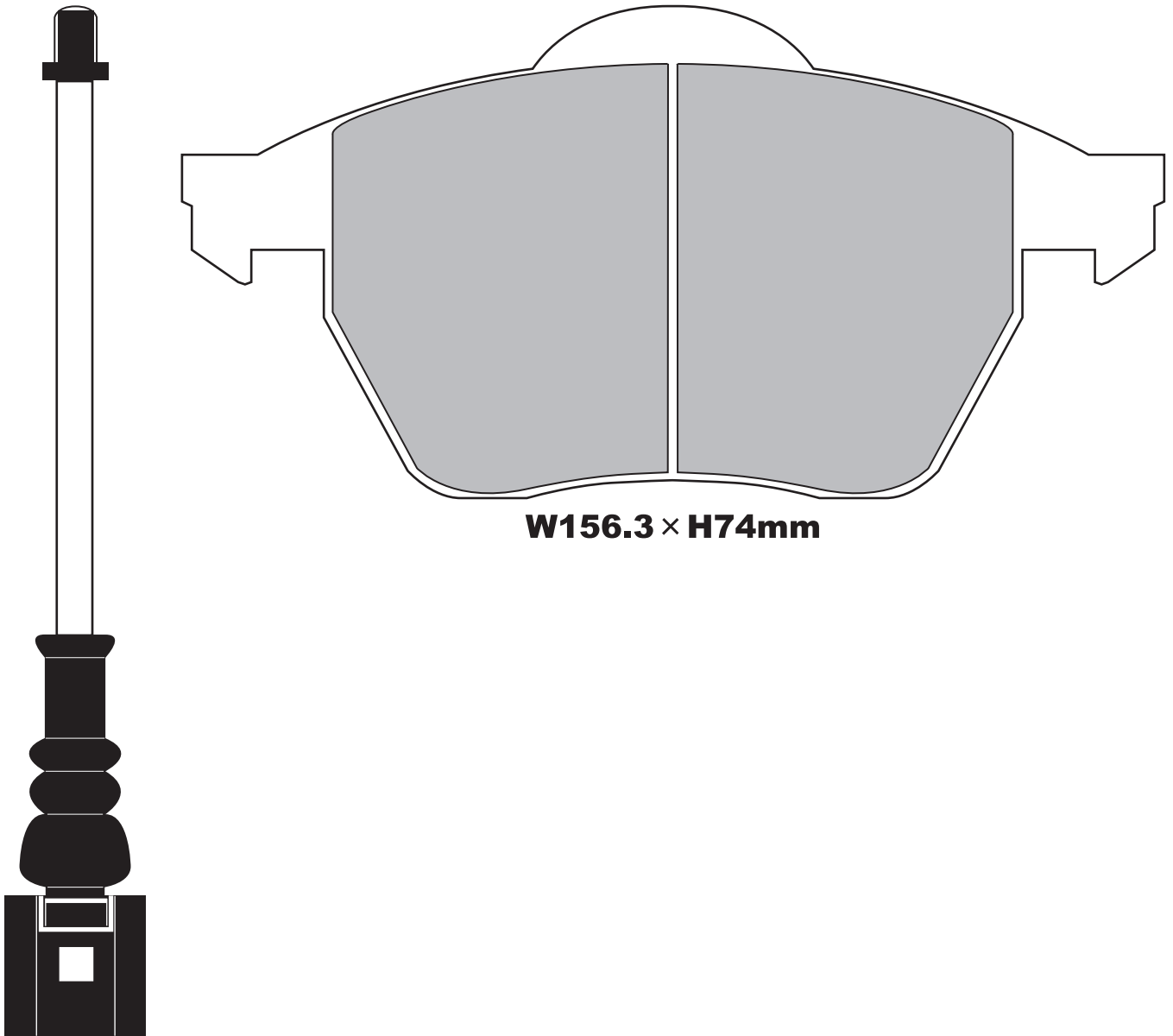


Z116S1

AUDI (S3, TT), VW (GOLF4, BEETLE, BORA)



Brake pad with sensor.

EURO ECO

¥ 16,000

