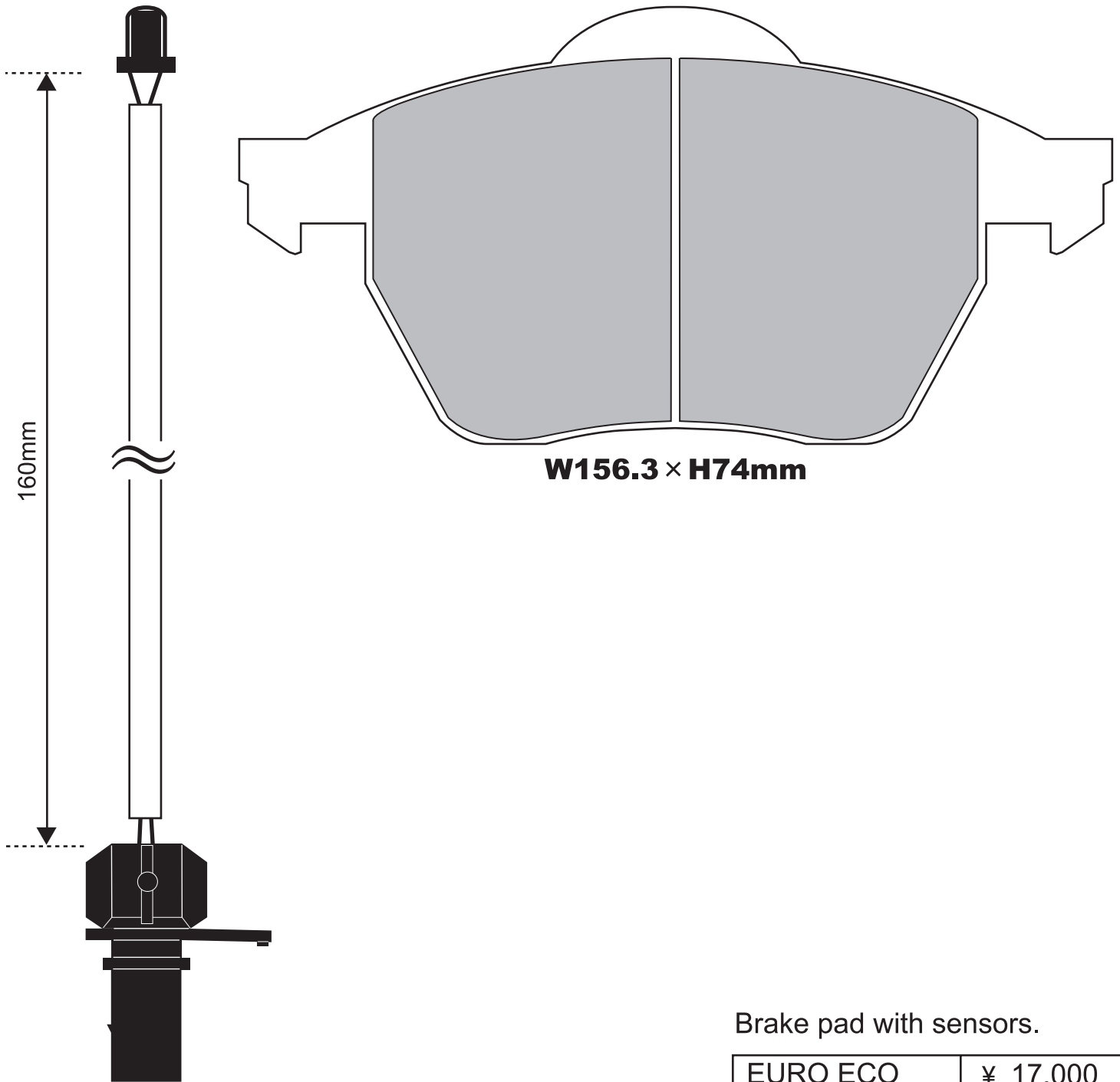


Z116aS2

AUDI (A4, A6), VW (PASSAT)



Brake pad with sensors.

EURO ECO	¥ 17,000
----------	----------